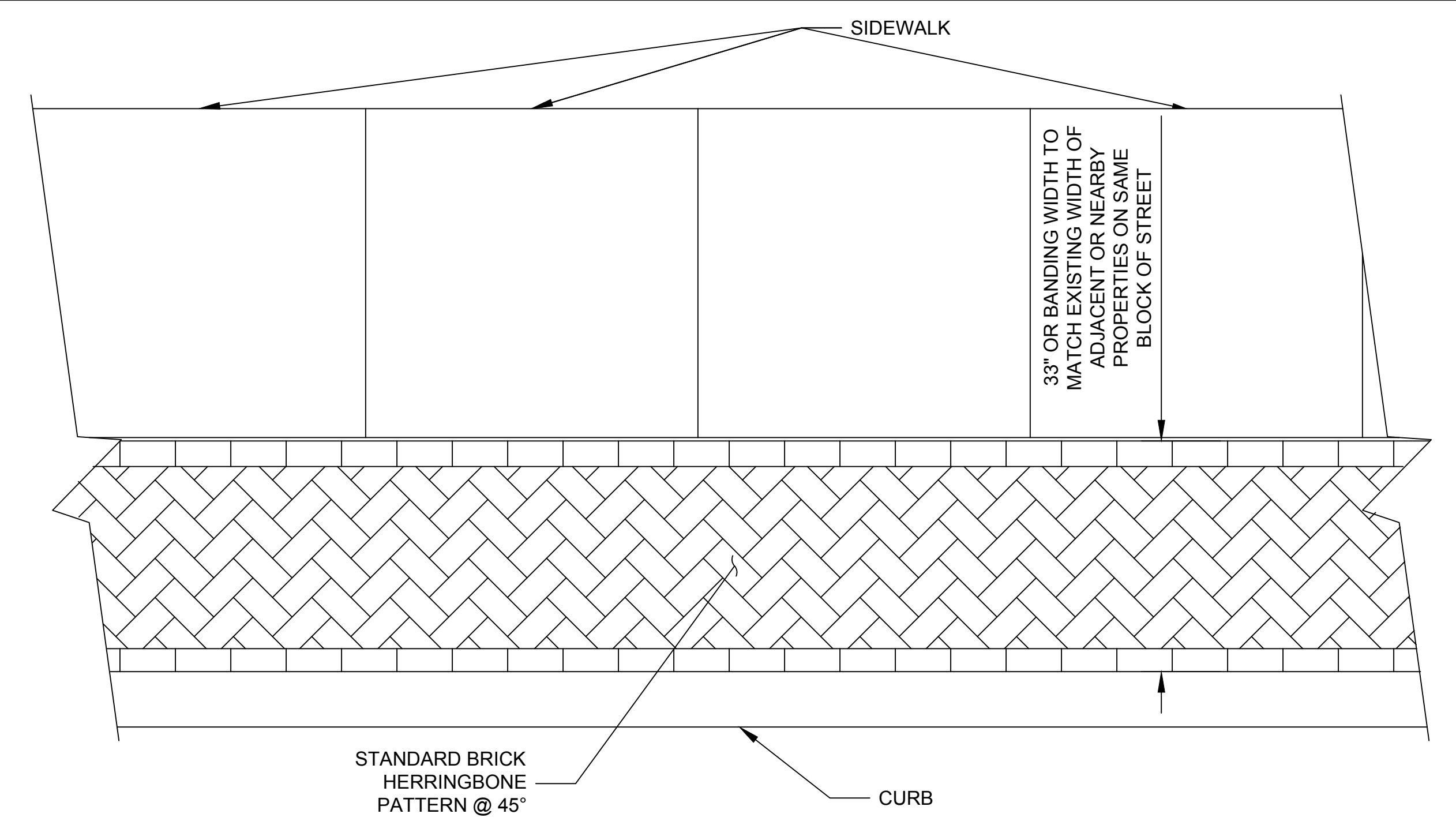
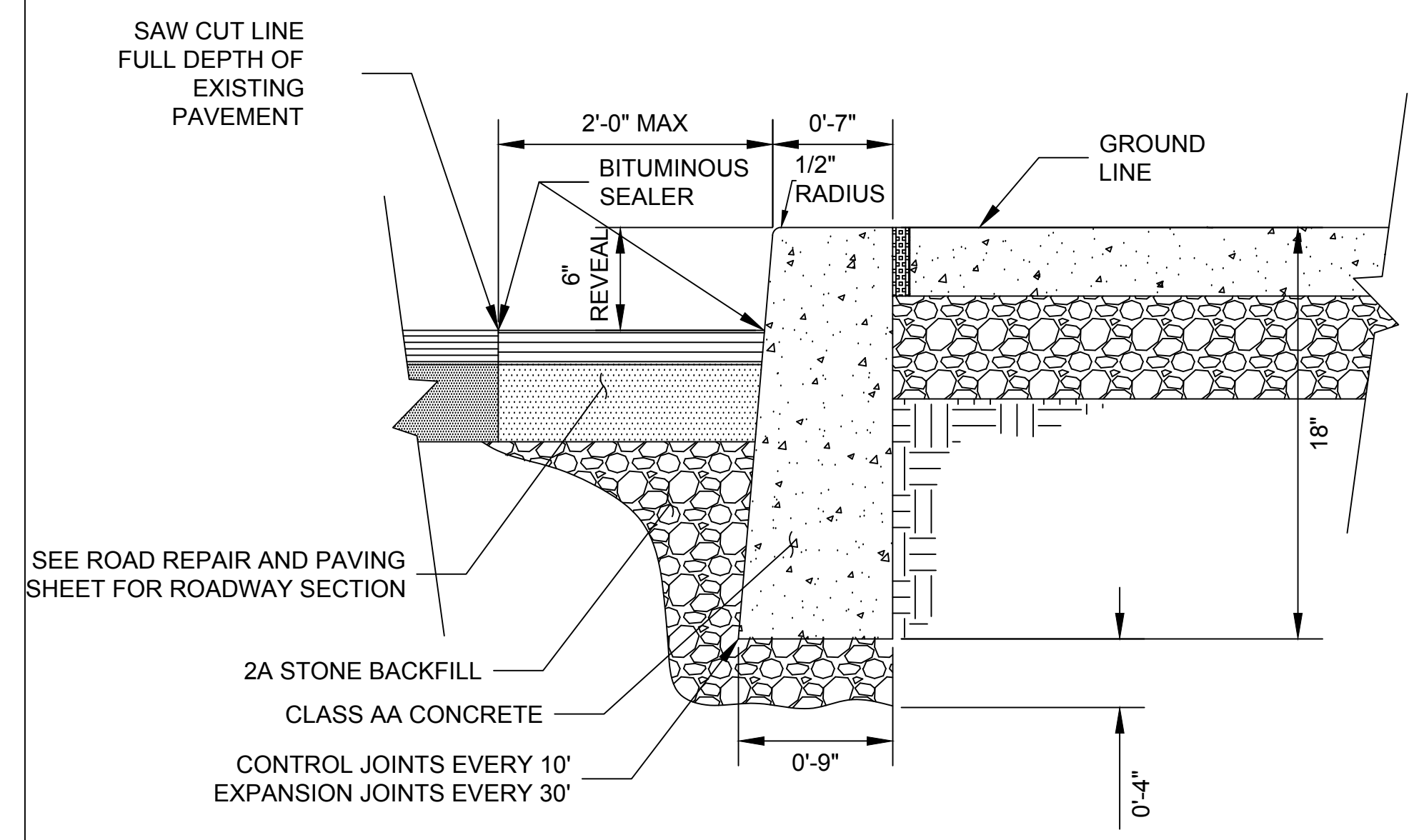


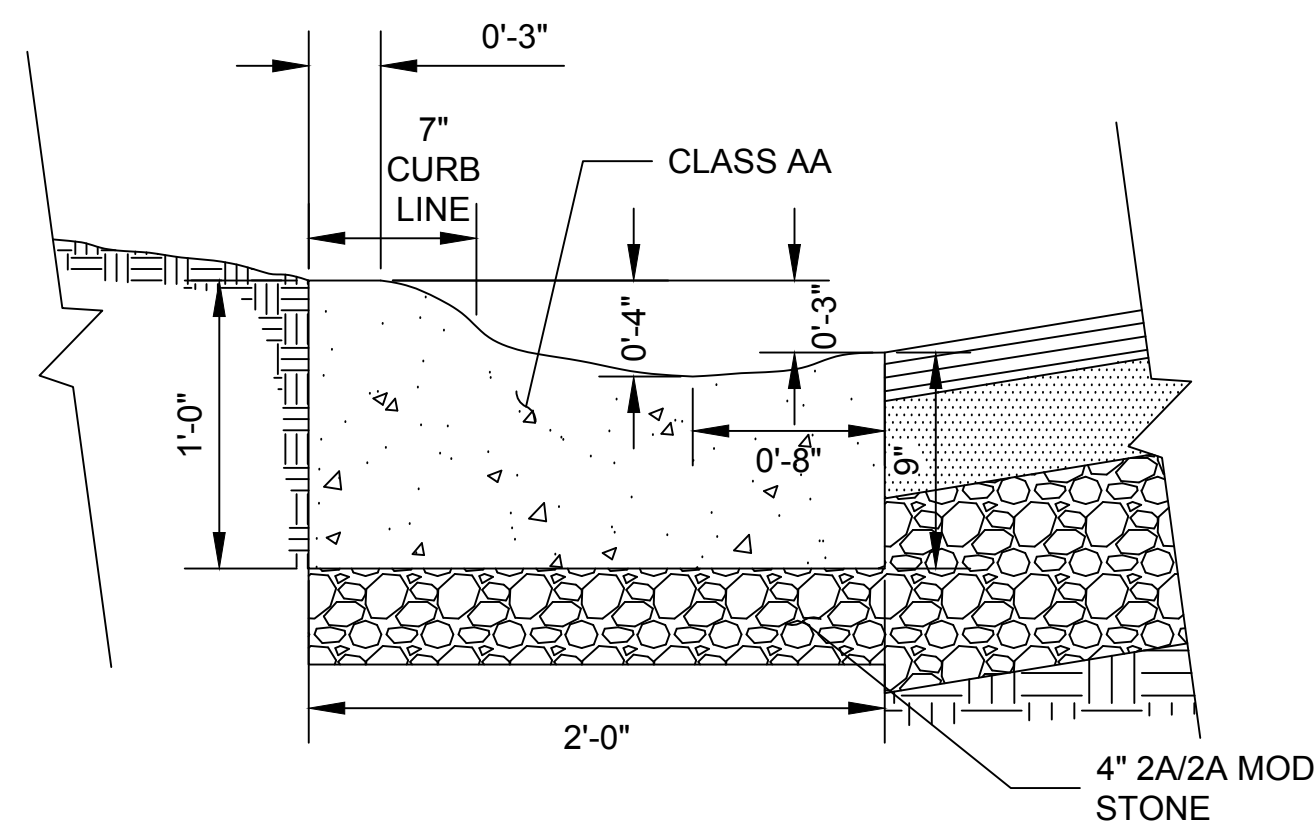
1 CONCRETE SIDEWALK AND CURB
SCALE: NONE



5 BRICK PAVERS SIDEWALK (PLAN VIEW)
SCALE: NONE

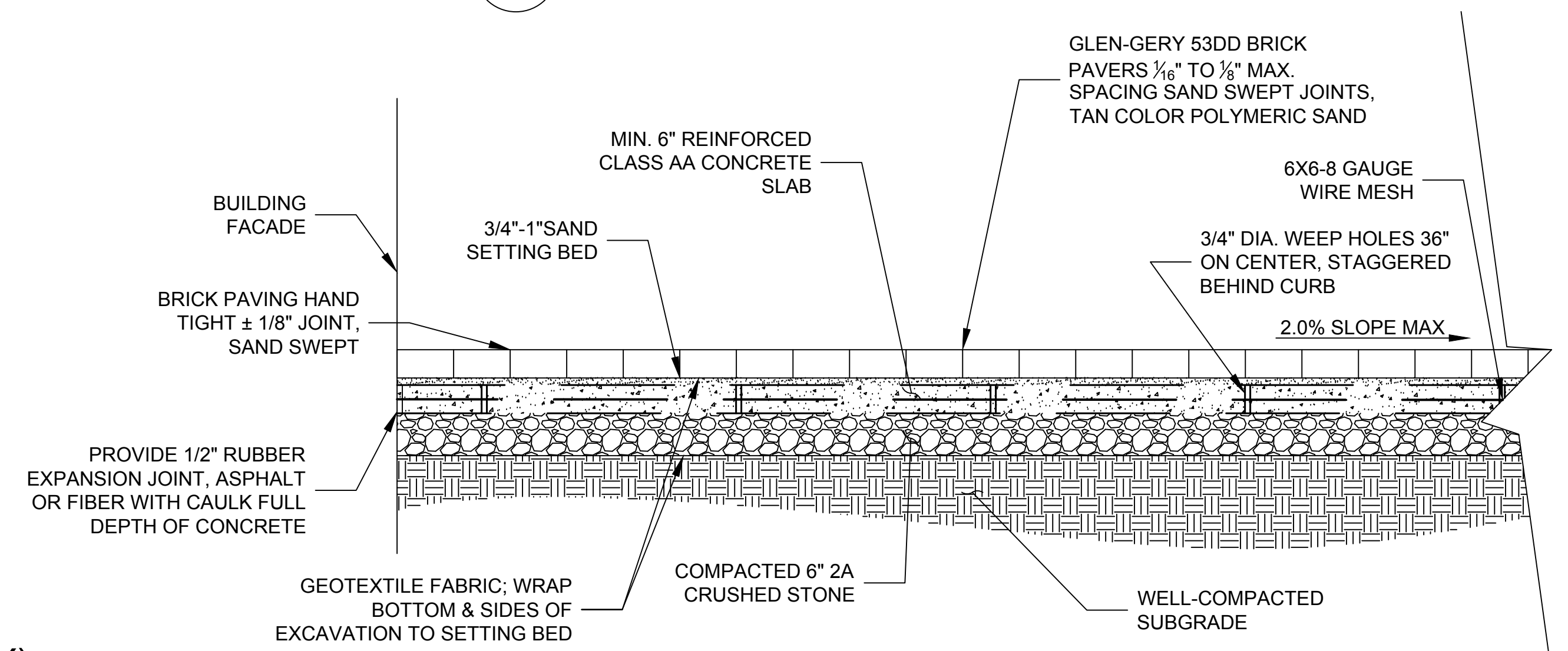


2 CONCRETE CURB REPLACEMENT
SCALE: NONE

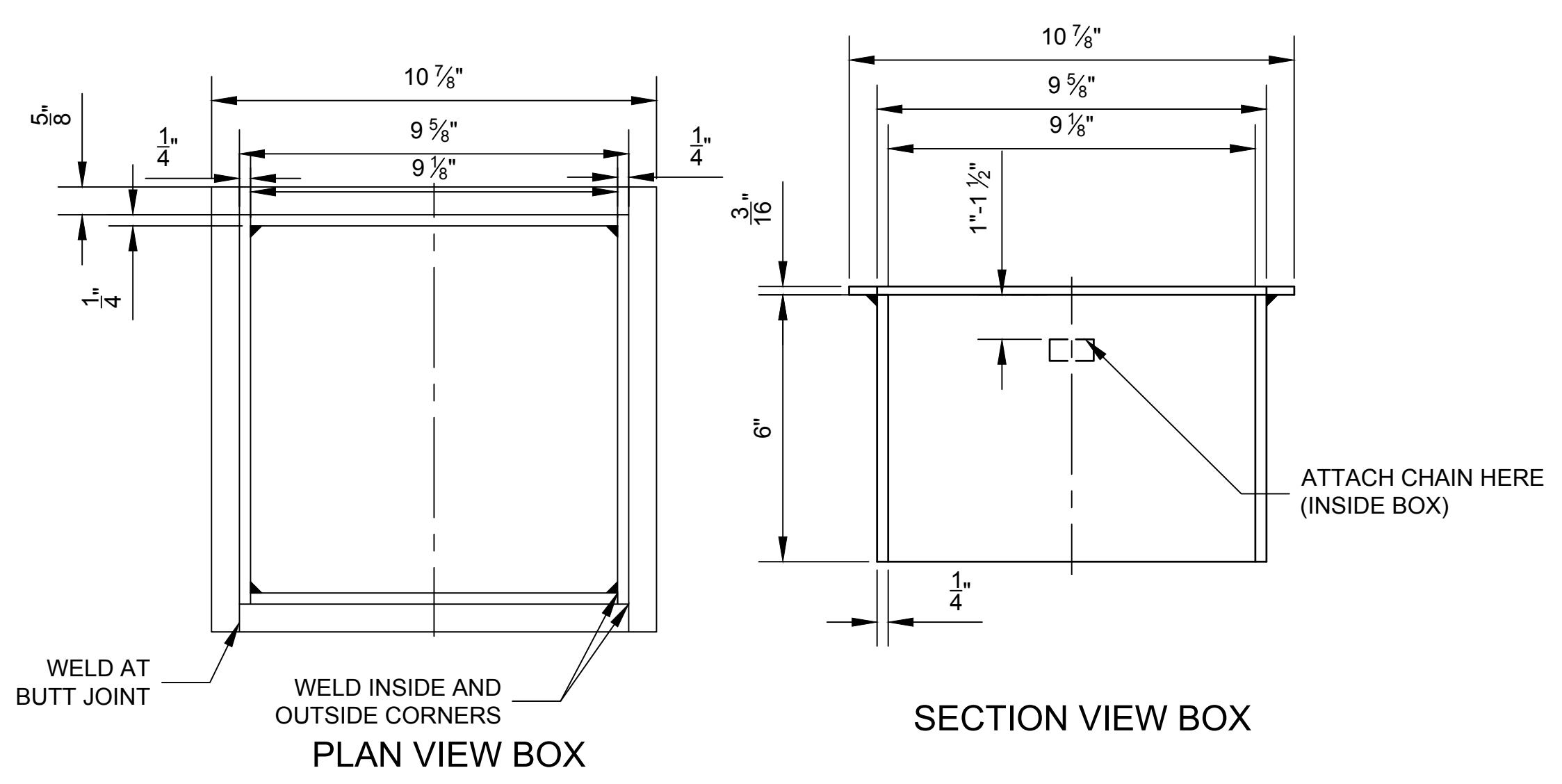


3 STANDARD ROLLED CURB (REPLACEMENT ONLY)
SCALE: NONE

NOTE:
1. CONCRETE SHALL BE CLASS AA
2. ROLLED CURB DETAIL FOR REPLACEMENT ONLY. NEW INSTALLATIONS ARE NOT PERMITTED.

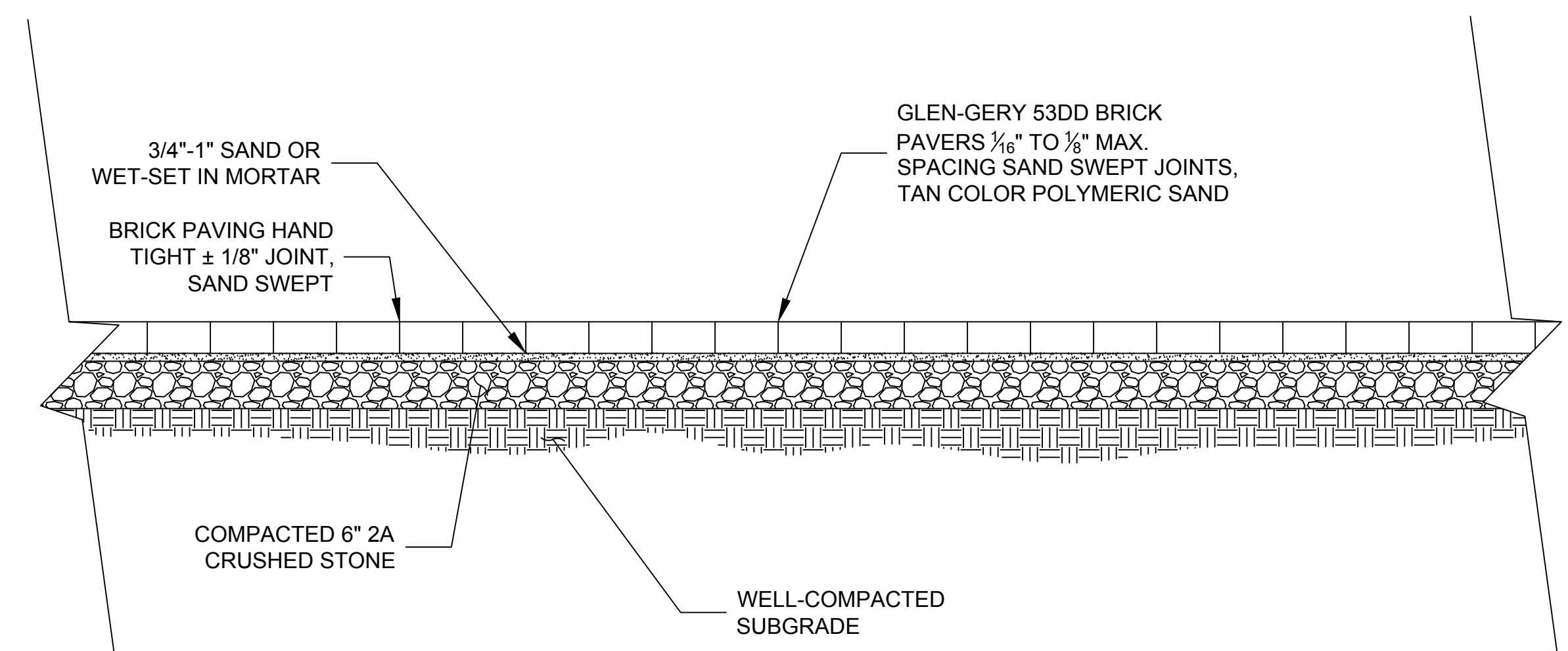
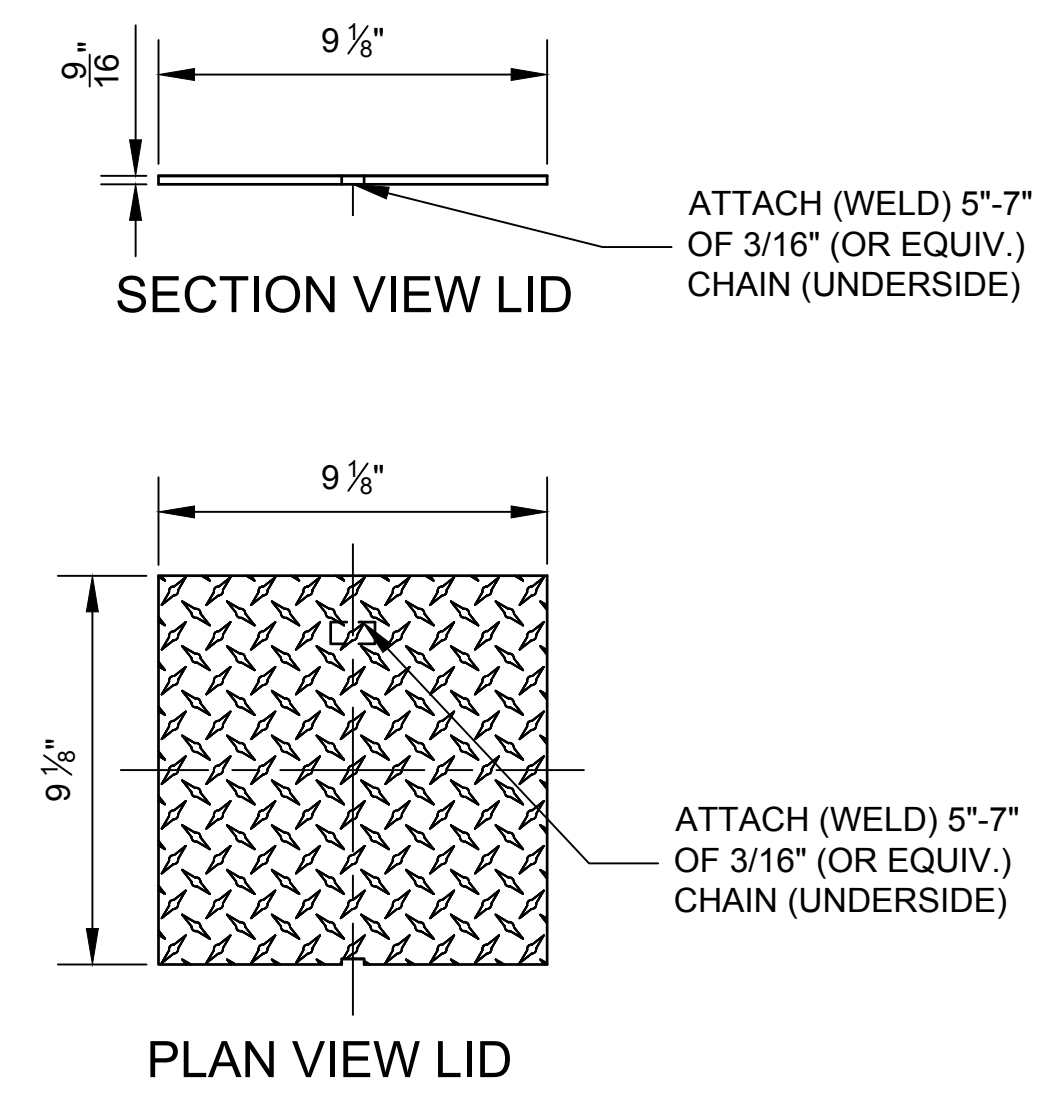


6 BRICK PAVERS VEHICULAR SIDEWALK (SECTION VIEW)
SCALE: NONE



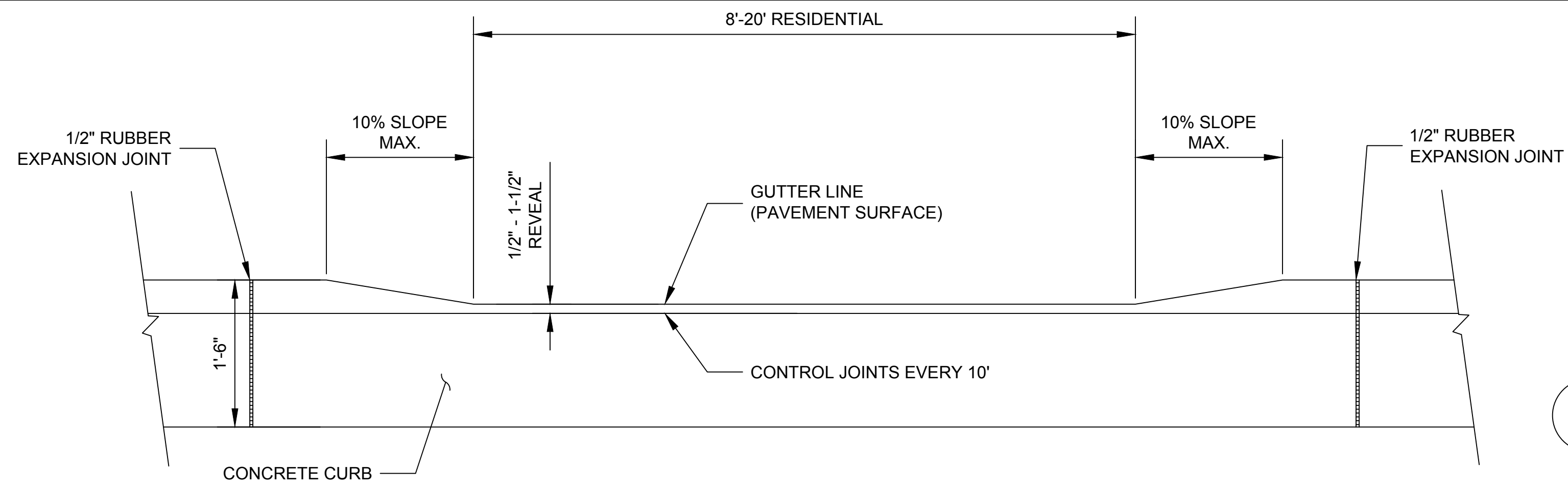
NOTES:
1. LIDS MUST FIT FLUSH TO FRAME ALL AROUND TO PREVENT A TRIPPING HAZARD.
2. LIDS MUST BE FULLY SUPPORTED BY RIM ALL AROUND.

4 MONUMENT BOX
SCALE: NONE

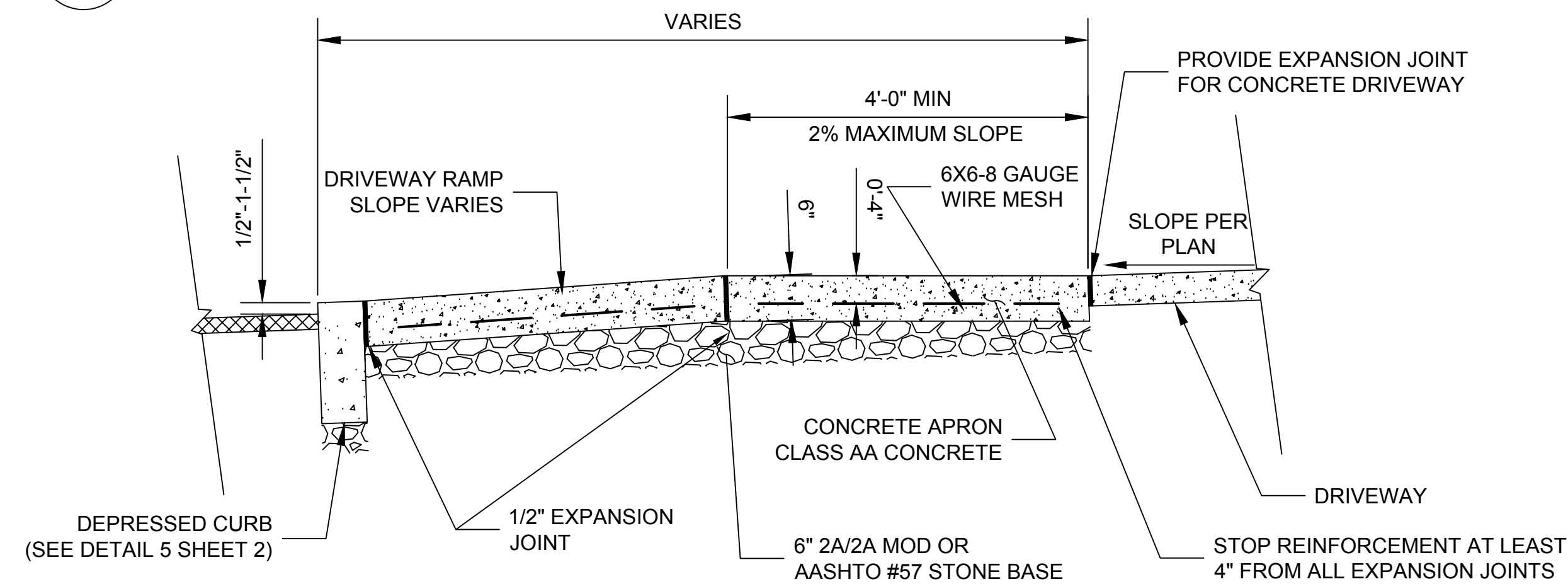


7 BRICK PAVERS PEDESTRIAN SIDEWALK (SECTION VIEW)
SCALE: NONE

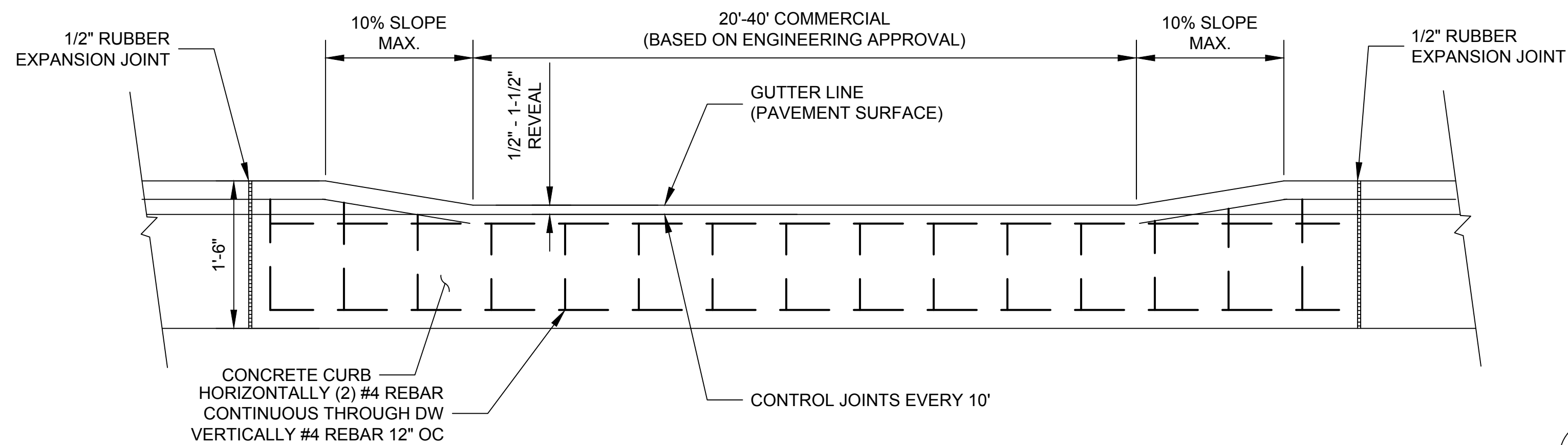
CITY OF LANCASTER LANCASTER, PENNSYLVANIA BUREAU OF ENGINEERING	CURB AND SIDEWALK DETAILS AND SPECIFICATIONS	2/15/17 DATE	REVISED DESCRIPTION	BMP BY
SCALE: NOTED	SHEET 1	CITY OF LANCASTER		



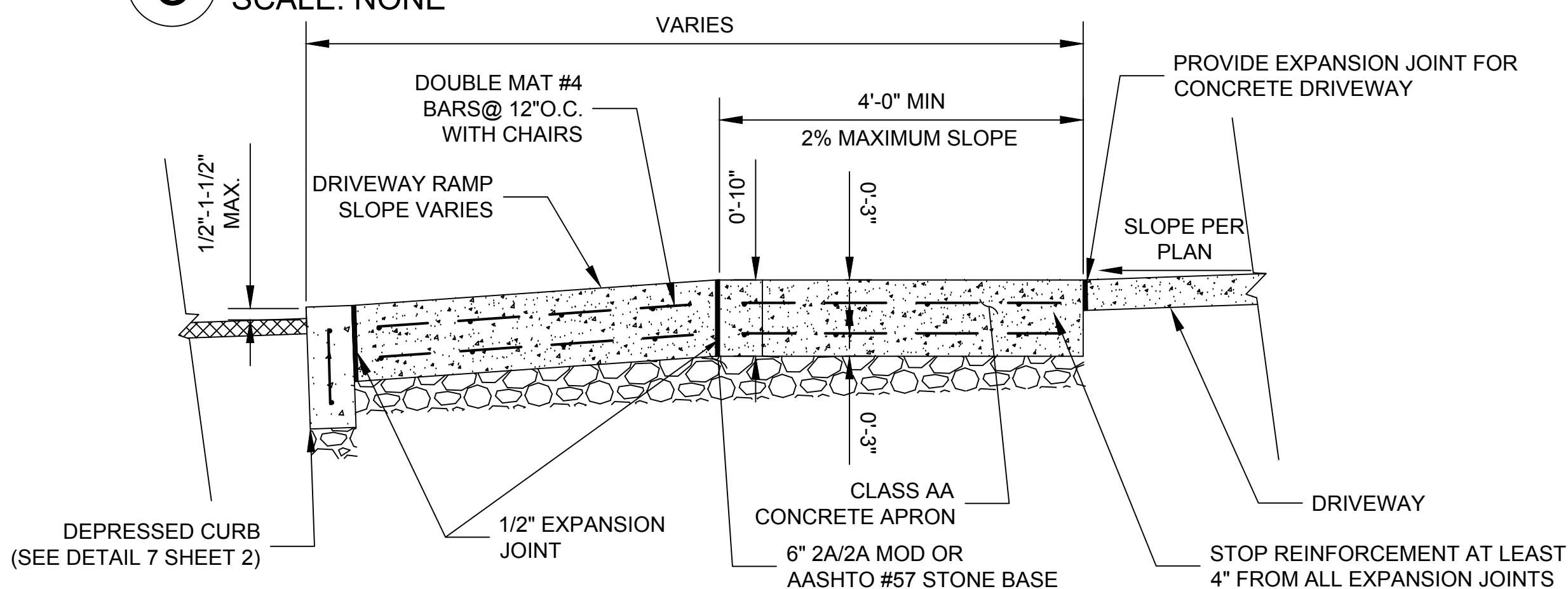
1 DEPRESSED CURB AT DRIVEWAY ELEVATION RESIDENTIAL
SCALE: NONE



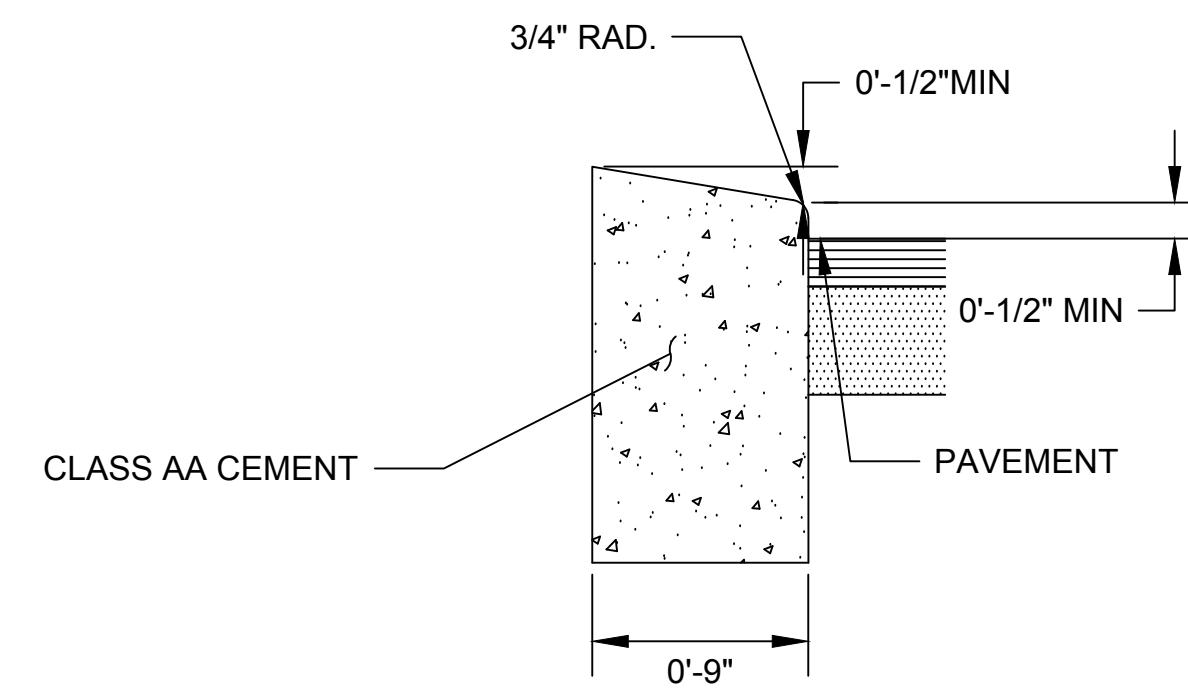
2 DEPRESSED CURB AT DRIVEWAY RESIDENTIAL
SCALE: NONE



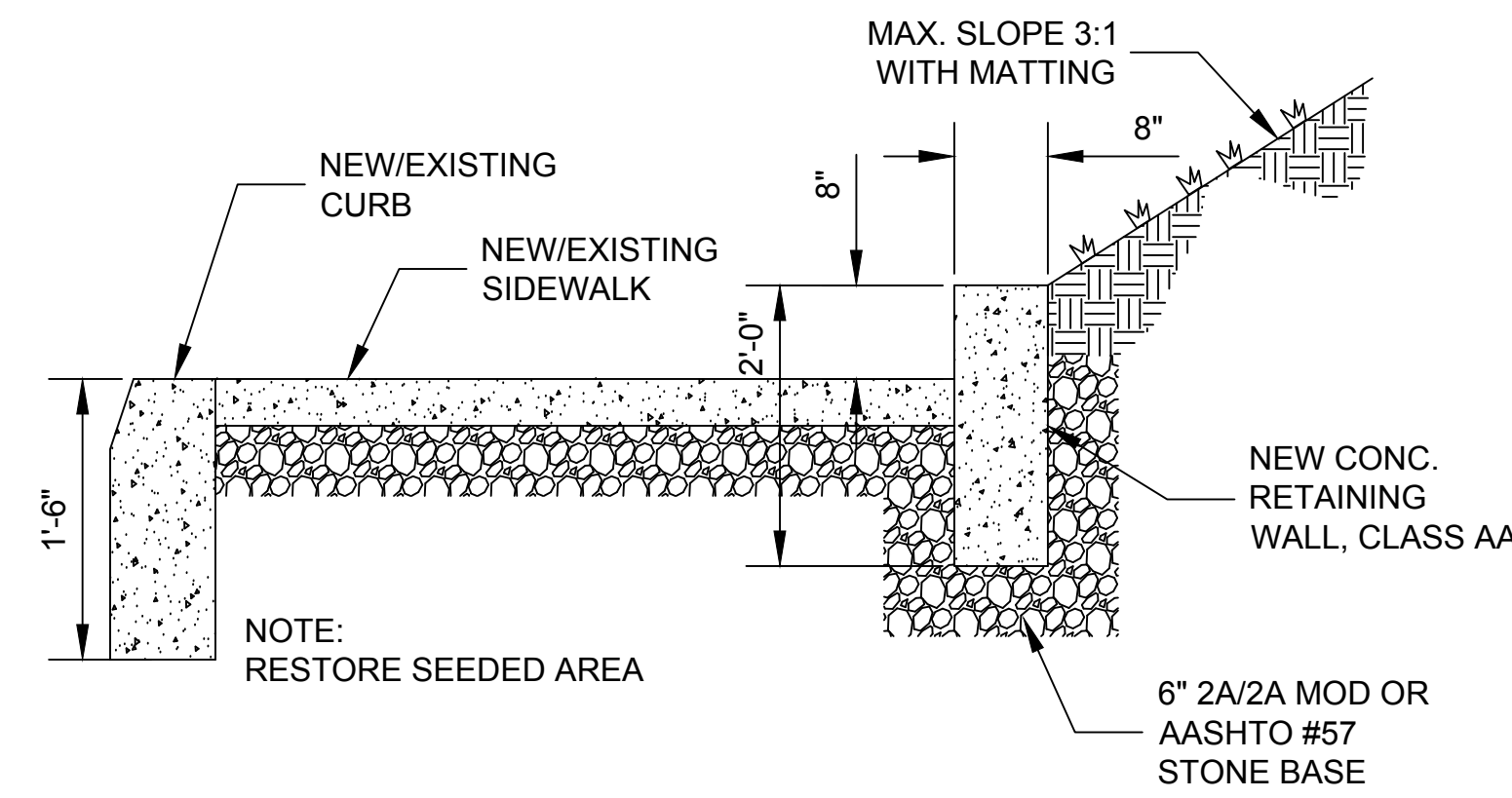
3 DEPRESSED CURB AT DRIVEWAY ELEVATION NON-RESIDENTIAL
SCALE: NONE



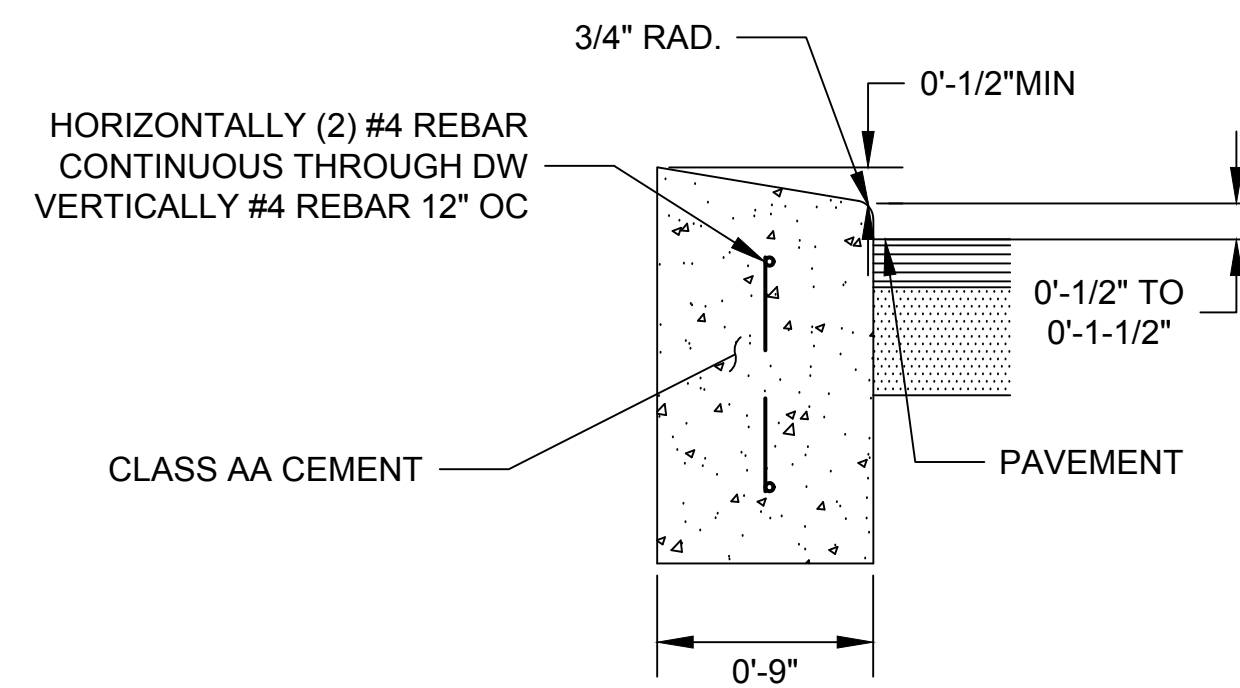
4 DEPRESSED CURB AT DRIVEWAY NON-RESIDENTIAL
SCALE: NONE



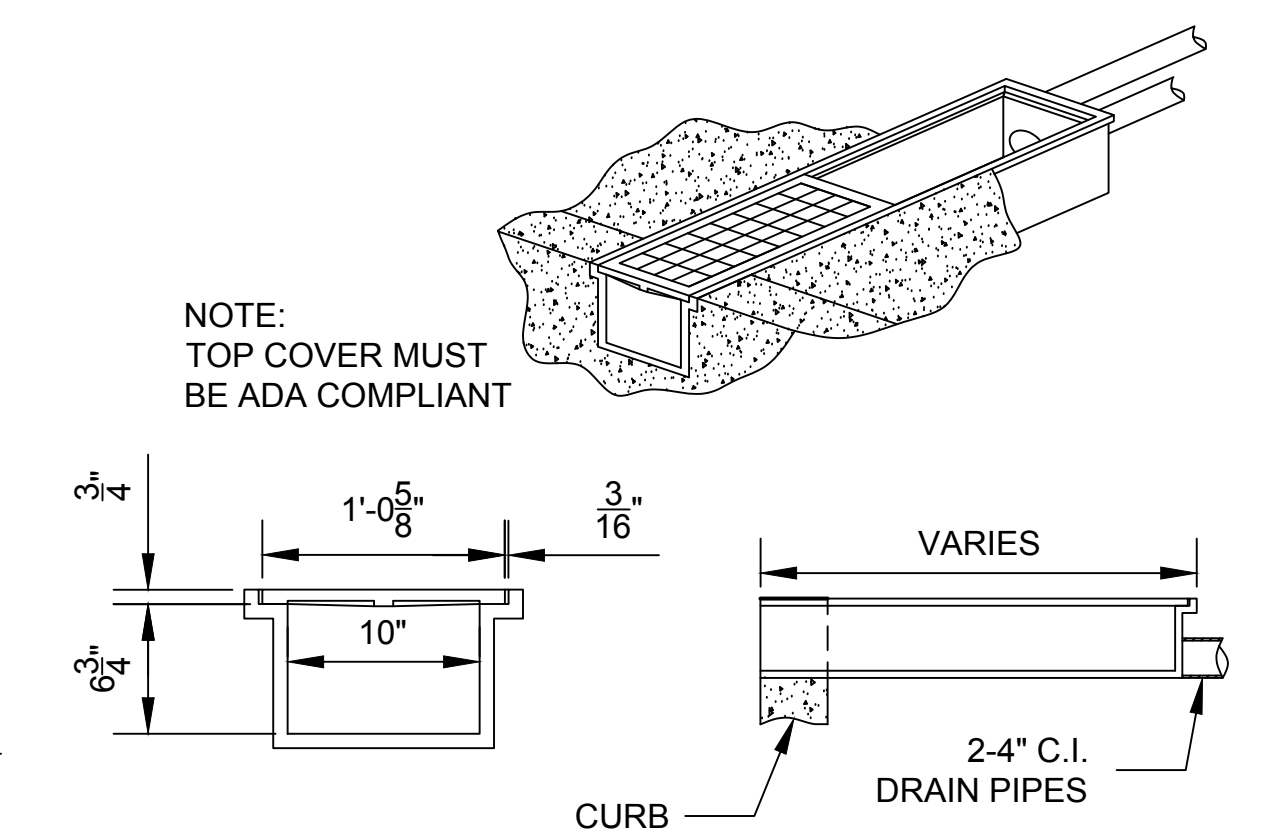
5 TYP. CROSS-SECTION DEPRESSED CURB RESIDENTIAL
SCALE: NONE



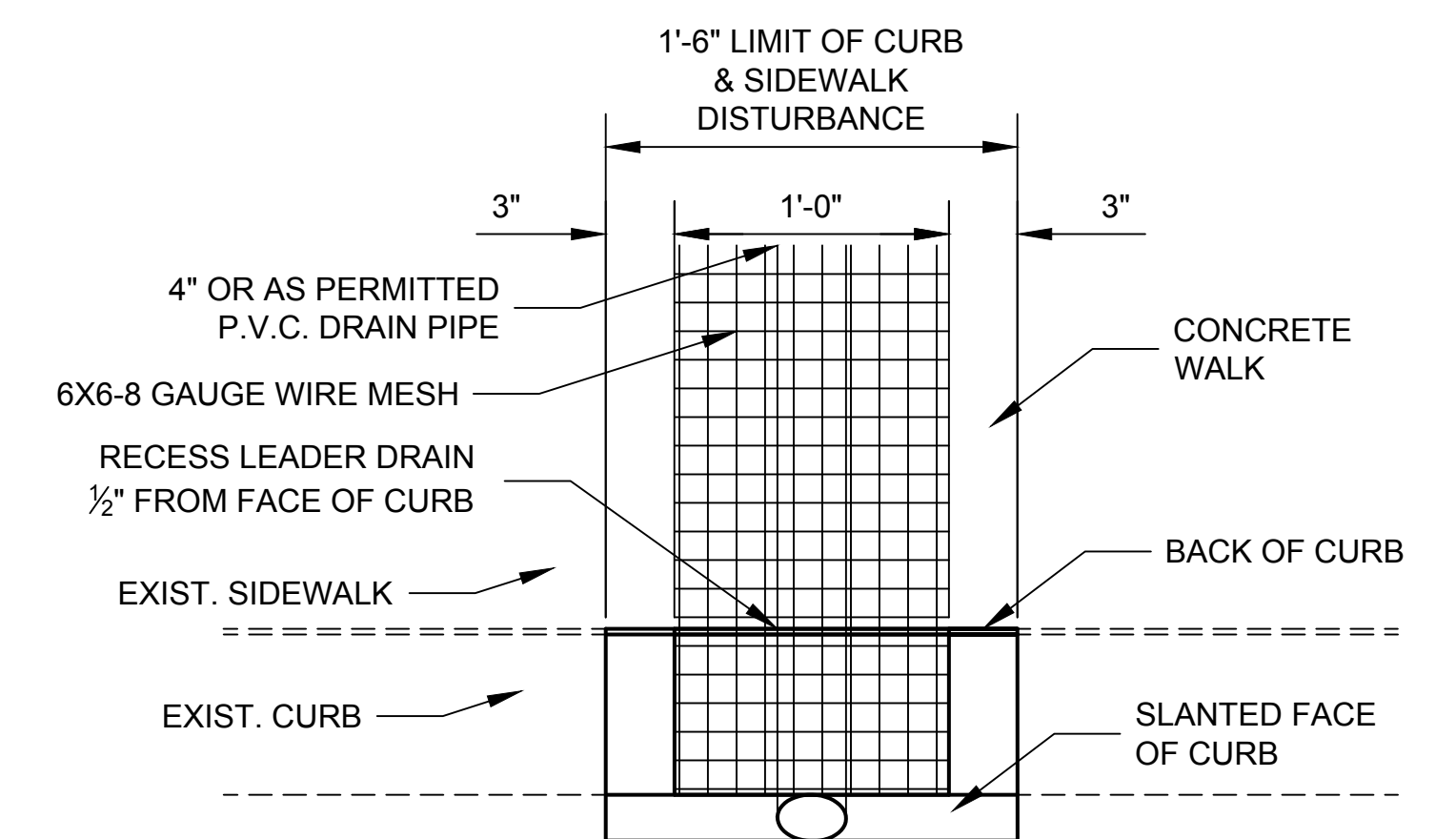
6 RETAINING WALL DETAIL
SCALE: NONE



7 TYP. CROSS-SECTION DEPRESSED CURB NON-RESIDENTIAL
SCALE: NONE

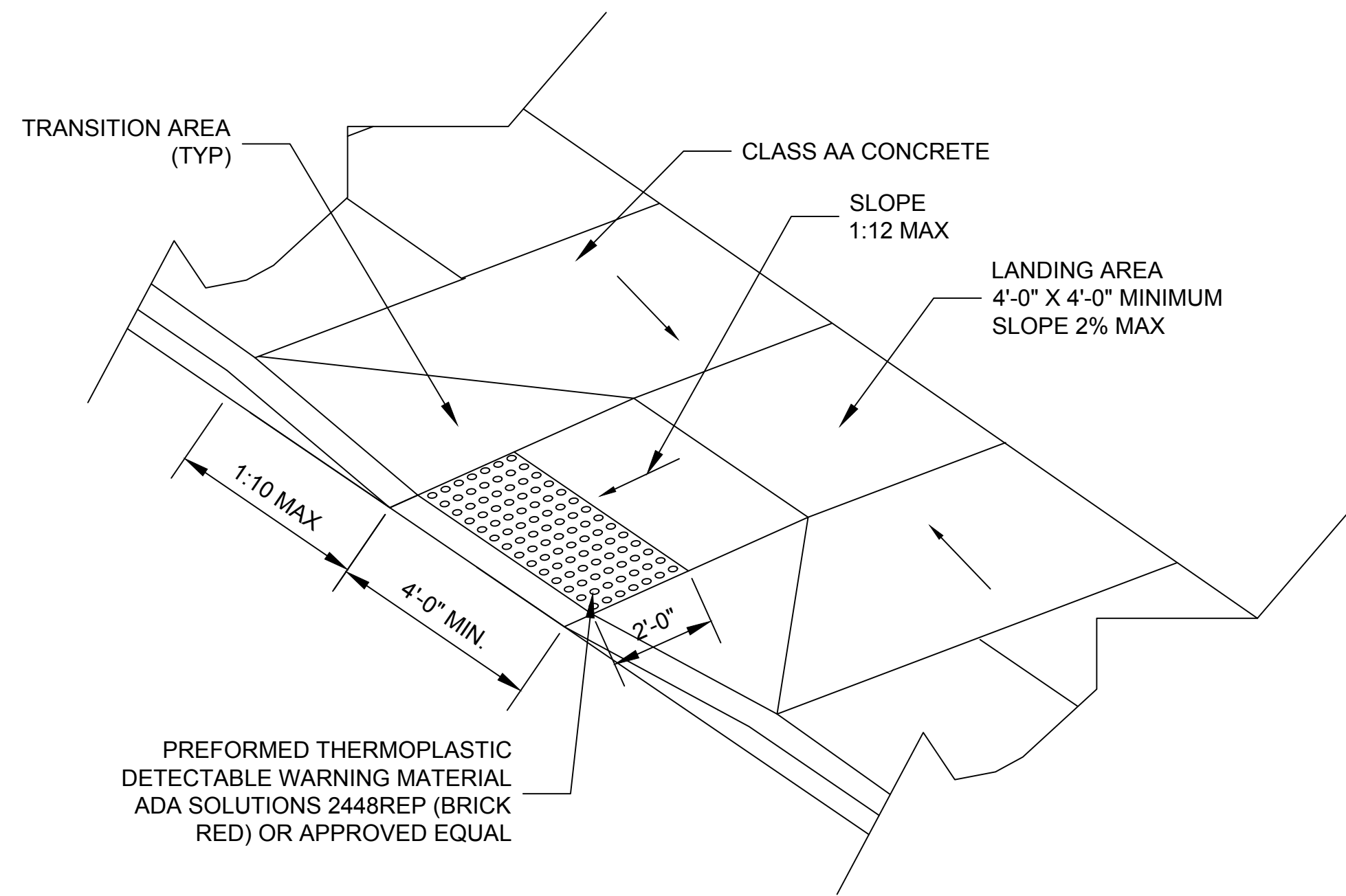


8 CAST IRON TRENCH
SCALE: NONE

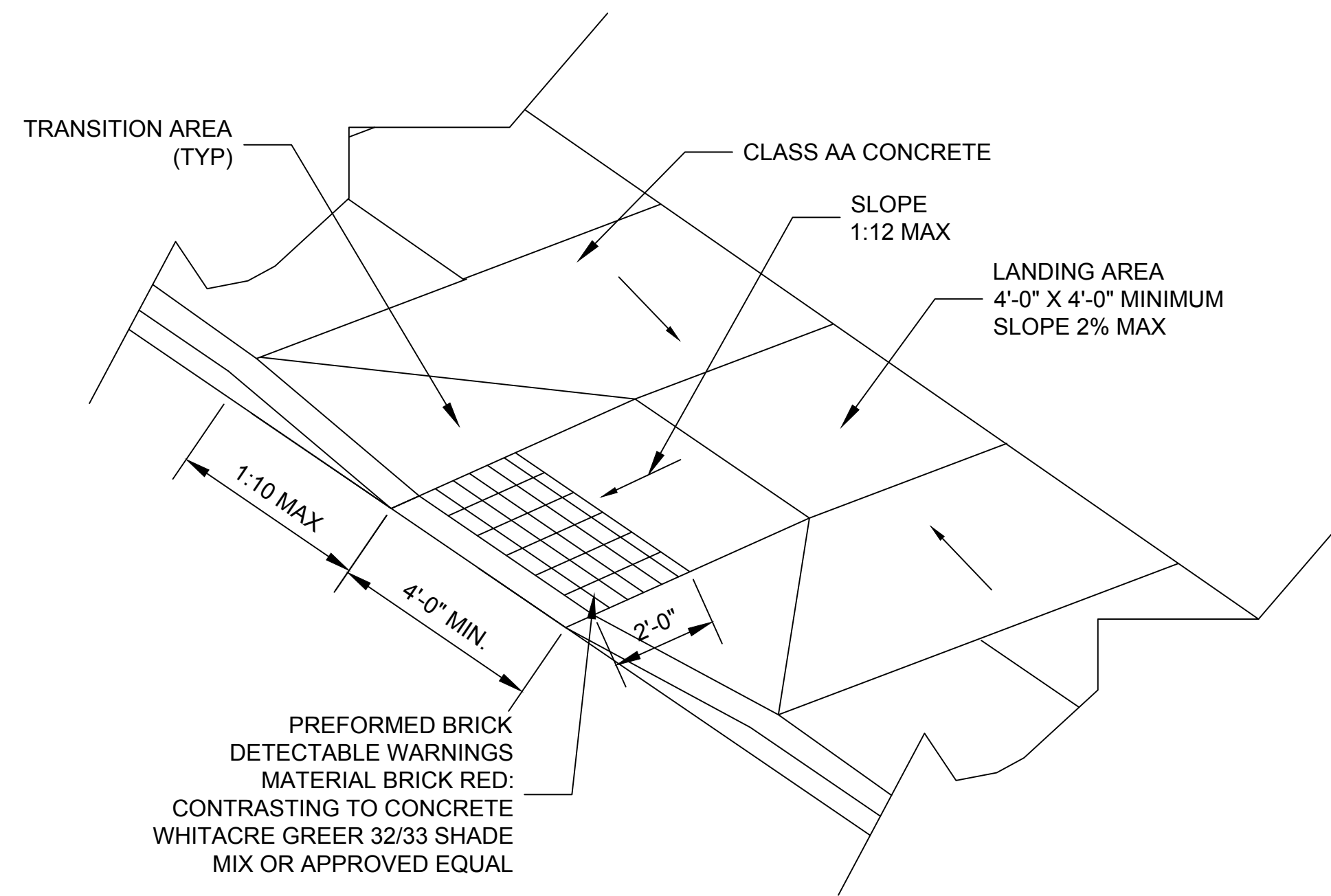


9 SIDEWALK DOWNSPOUT DRAIN
SCALE: NONE

CITY OF LANCASTER LANCASTER, PENNSYLVANIA BUREAU OF ENGINEERING	CURB AND SIDEWALK DETAILS AND SPECIFICATIONS	2/15/17 DATE	REVISED DESCRIPTION	BMP BY
SCALE: NOTED	SHEET 2	CITY OF LANCASTER		



1 HANDICAP RAMP WITH PREFORMED THERMOPLASTIC
SCALE: NONE

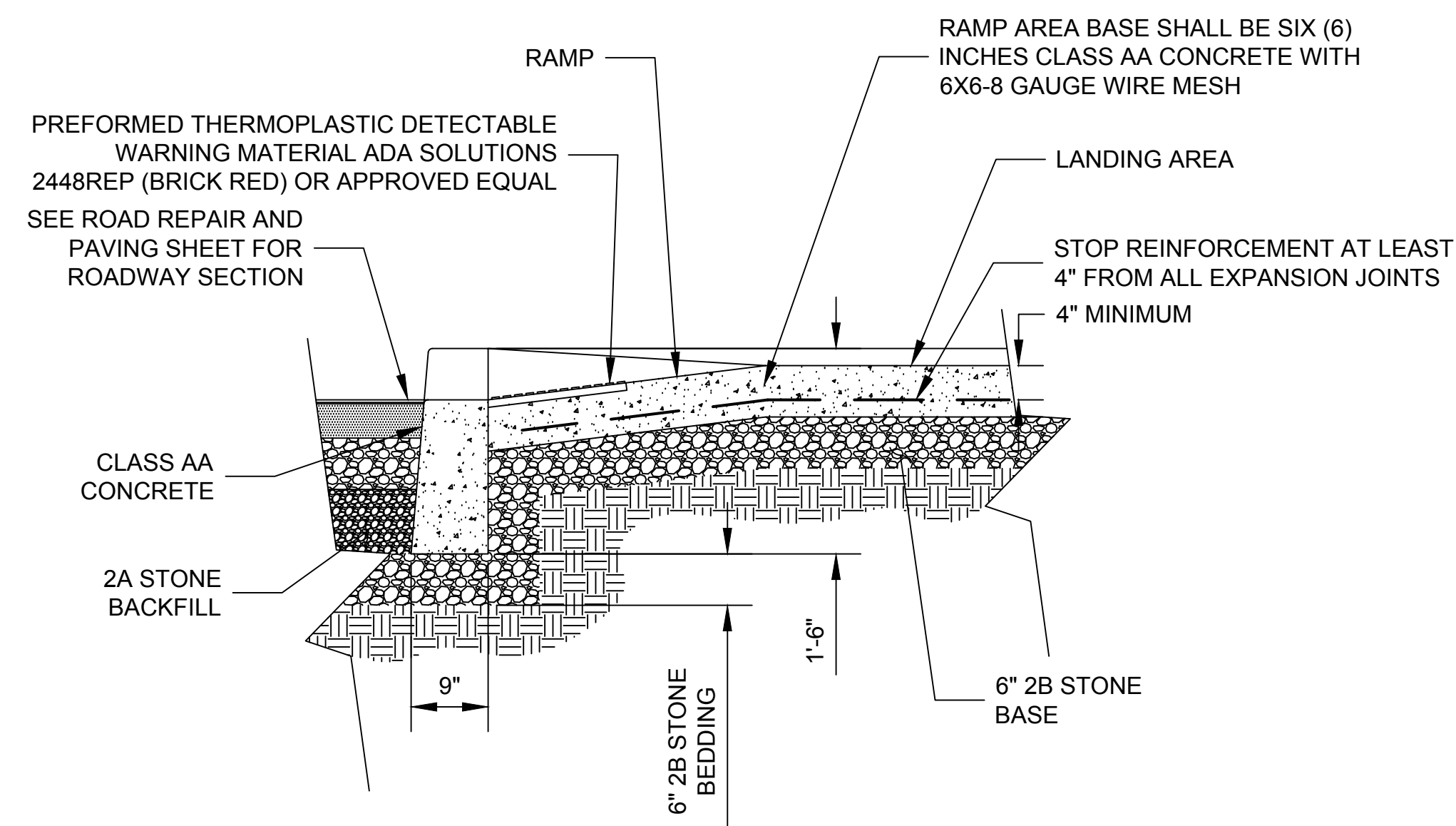


3 HANDICAP RAMP WITH PREFORMED BRICK
SCALE: NONE

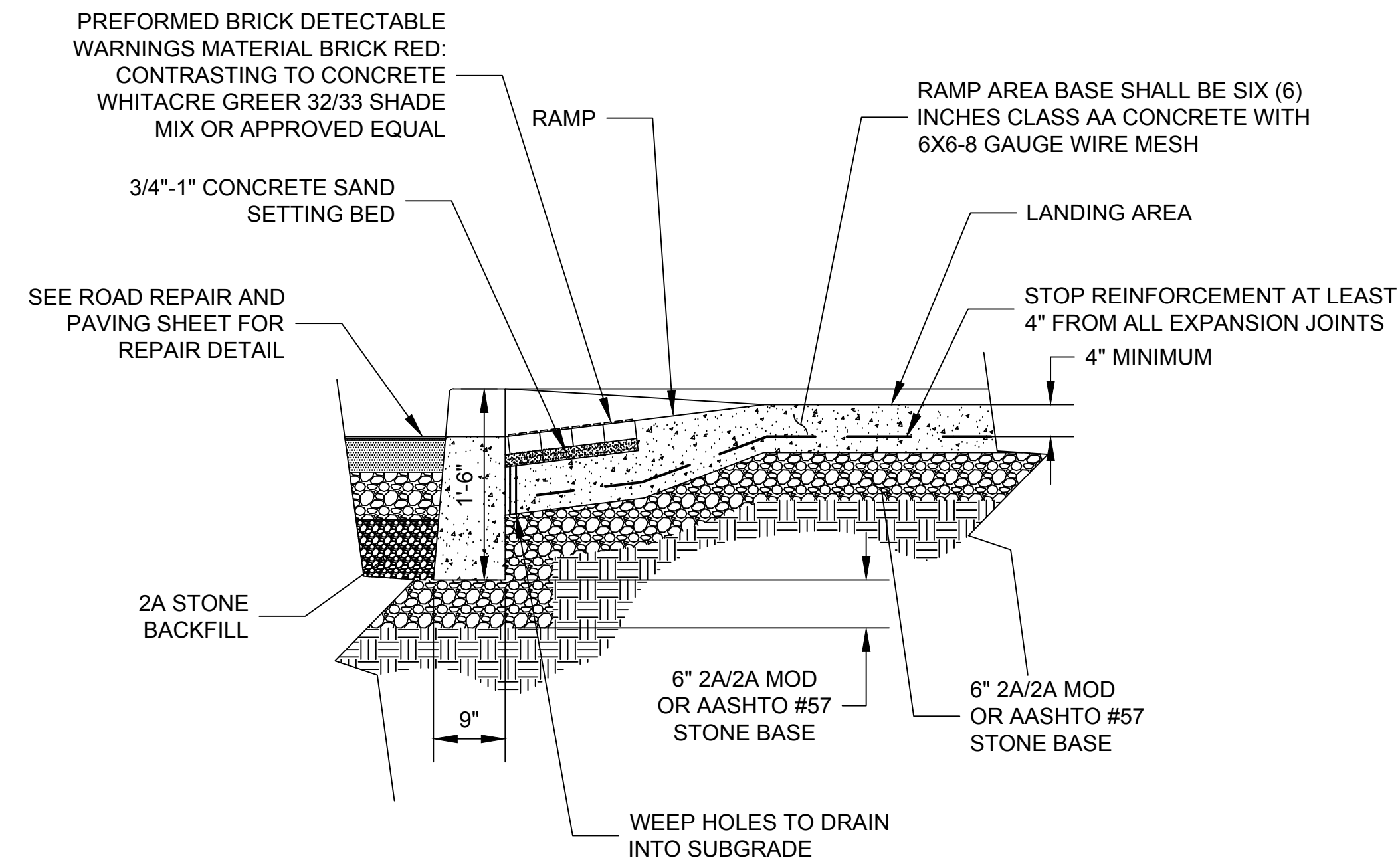
NOTES

1. PROVIDE SLIP RESISTANT TEXTURE ON CURB RAMP BY COARSE BROOMING TRANSVERSE TO THE SLOPE OF THE RAMP. EXTEND TEXTURE THE FULL WIDTH AND LENGTH OF THE CURB RAMP INCLUDING FLARED SIDE RAMPS. TO AVOID CHASING GRADE INDEFINITELY WHEN TRAVERSING THE HEIGHT OF THE CURB, RAMP LENGTH NOT TO EXCEED 15'-0". ADJUST RAMP SLOPE AS NEEDED TO PROVIDE ACCESS TO THE MAXIMUM EXTENT FEASIBLE.
2. ALIGN DETECTABLE WARNING SURFACE TRUNCATED DOMES ON A SQUARE GRID IN THE PREDOMINANT DIRECTION OF THE RAMP AND PERPENDICULAR TO THE CURB.
3. PROVIDE DETECTABLE WARNING SURFACES 24" MINIMUM (IN THE DIRECTION OF PEDESTRIAN TRAVEL) ACROSS FULL WIDTH OF RAMP AT THE GRADE BREAK NEAR STREET EDGE.
4. FOR NEW CONSTRUCTION, DO NOT EXCEED 2.00% CROSS SLOPE ON THE CURB RAMP OR ACCESSIBLE ROUTE ALL SLOPES ARE MEASURED WITH RESPECT TO A LEVEL PLANE. THEREFORE, THE LENGTH OF RAMP IS NOT SOLELY DEPENDANT ON THE HEIGHT OF THE CURB. (FOR EXAMPLE A 6" CURB DOES NOT NECESSARILY MEAN A RAMP LENGTH OF 6'-0" FOR A 1:12 SLOPE.
5. SIDE FLARES 10.00% MAX SLOPE
6. CURB RAMPS REQUIRE A 4'-0" MINIMUM LANDING WITH A MAXIMUM CROSS SLOPE AND LONGITUDINAL SLOPE OF 2.00% WHERE PEDESTRIANS PERFORMING TURNING MANEUVERS.
7. CONSTRUCT DEPRESSED CURB SLOPE TO MATCH ROADWAY PROFILE AND HAVE A FLUSH CONNECTION.
8. IF TRANSITION BLOCK IS LESS THAN 5% SLOPE, CONTRACTOR TO TRANSITION LANDING TO EXISTING SIDEWALK CONDITIONS ONLY.
9. SECONDARY LANDING SHALL BE 4'-0"X4'-0" MINIMUM WITH 2.0% MAXIMUM CROSS-SLOP IN ALL DIRECTIONS. SECONDARY LANDING SHALL TIE INTO EXISTING SIDEWALK CONDITIONS WITHOUT RESTRICTION. IF LANDING CANNOT BE TIED IN TO EXISTING SIDEWALK DUE TO SLOPE, THEN CONTRACTOR SHALL CONSTRUCT A "WARPED" SECTION TO CONNECT EXISTING SIDEWALK CONDITIONS TO SECONDARY LANDING.

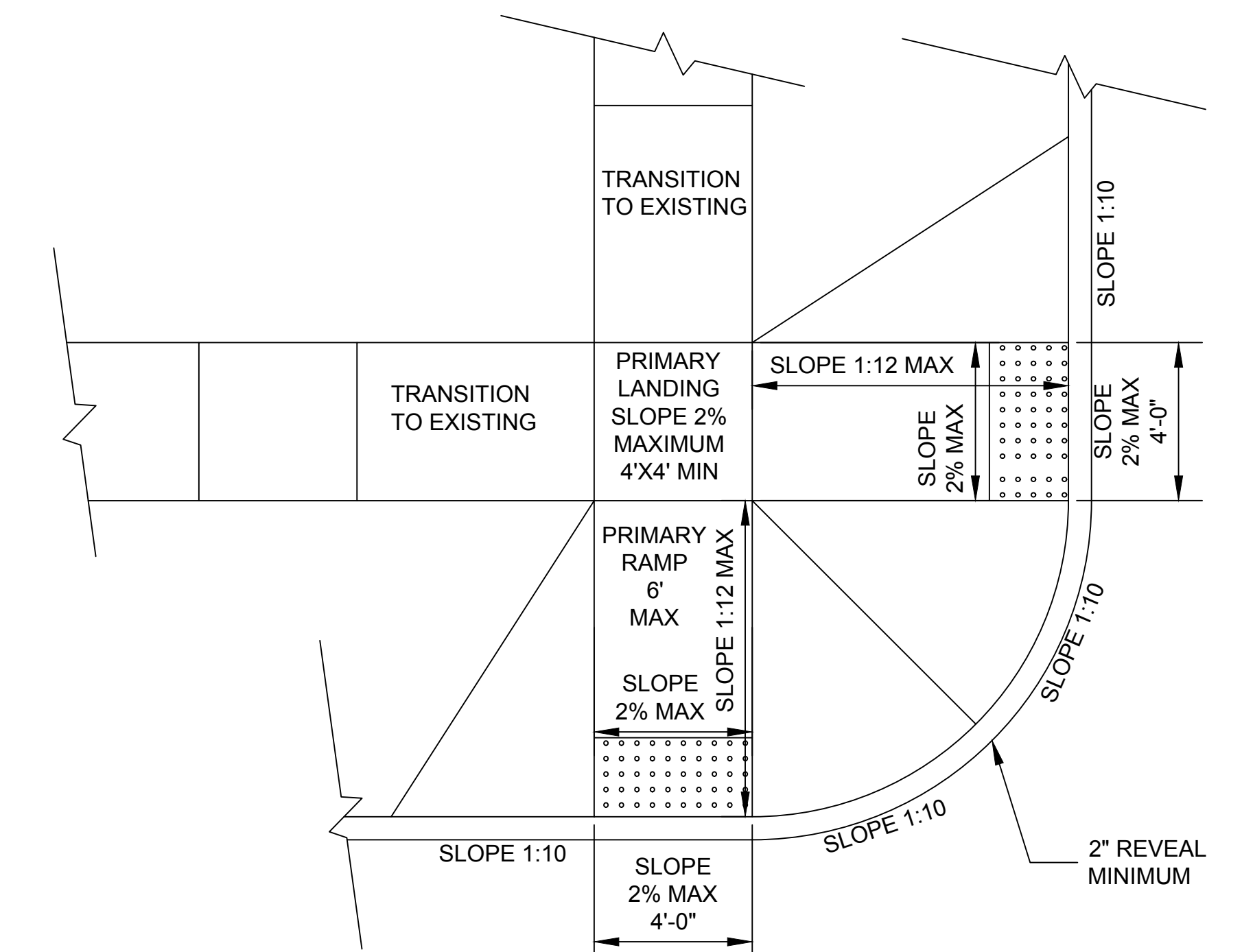
PERCENT SLOPE	EQUIVALENT SLOPE
10.00%	1:10
8.33%	1:12
7.14%	1:14
2.00%	1:50
1.00%	1:100



2 HANDICAP RAMP WITH PREFORMED THERMOPLASTIC
SCALE: NONE



4 HANDICAP RAMP WITH PREFORMED BRICK
SCALE: NONE



5 HANDICAP SPECIFICATION SKETCH
SCALE: NONE

CITY OF LANCASTER LANCASTER, PENNSYLVANIA BUREAU OF ENGINEERING	CURB AND SIDEWALK DETAILS AND SPECIFICATIONS	2/15/17	REVISED	BMP
SCALE: NOTED	SHEET 3	DATE	DESCRIPTION	BY
		CITY OF LANCASTER		